



Makes 
Double
Business Sense

TATA MOTORS

High fuel efficiency plus high performance, now together





In the highly competitive mining and construction industry, having the right kind of vehicle gives you the edge to stay ahead. Now Tata Motors offers you a new generation tipper that's just what you need for your business.

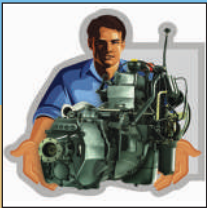
Introducing **Tata SK 1613 HYMILER**, the tipper that combines **high performance** with **high fuel efficiency**. While its performance significantly reduces your downtime, its fuel efficiency ensures valuable savings for you.

Read on to discover the unmatched benefits of **Tata SK 1613 HYMILER**.



Increased gradeability of 26%

Performance-enhancing features



Tata 697 TCIC BSIII Engine

A 136 HP engine, with optimized power, gives higher torque at lower rpm, to ensure higher fuel efficiency in every trip.



Bigger Clutch

More friction area (352 mm dia clutch), for transferring higher engine power and torque to the driveline. It also increases life of the clutch assembly and reduces maintenance costs.



Heavy Duty Gear Box

Proven Tata G 600 gear box ensures optimum gear ratios for improved efficiency and smoother gear shift - resulting in increased driving comfort.



Heavy Duty Tata RA 109 RX Axle

It has a wider cross-section beam and stronger axles, to ensure better life and enhanced load bearing capacity.



Semi Forward Platform

Strong and safe SFC platform ensures stability - a life saver in demanding work conditions.

SK 1613 
HYMILER

Technical Specifications

ENGINE

Model	697 TCIC BS III
Max. Engine Output	136 HP at 2400 rpm
Max. Torque	490 Nm at 1400 rpm

CLUTCH

Type	Single Plate Dry Friction Pull Type
Size	352 mm

GEARBOX

Model	TATA G 600 FGR 8.47
No. of Gears	6 Forward, 1 Reverse

REAR AXLE

Model	TATA RA - 109 RX
Ratio	5.86: 1 (41/7)

FRONT AXLE

Heavy Duty Forged I Beam, Reverse Elliot Type

STEERING

Type	Hydraulic-assisted Power Steering
Ratio	20.2:1

BRAKES

Service Brake	Fully Duplicated, Full Air S-Cam Brake System
---------------	---

FRAME

Ladder Type Heavy Duty Frame with riveted / bolted cross members. Side members are of Channel Section. Depth: 223 mm (max.), Flange Width: 60 mm, Frame Width: 903 mm, Thickness: 7 mm

SUSPENSION

Semi-elliptical Leaf Spring at Front and Rear

WHEELS AND TYRES

Tyres	10.00 x 20 -16 PR Diagonal Ply
-------	--------------------------------

FUEL TANK

Capacity	150 litres for 32 WB, 160 litres for 36 WB
----------	---

CAB/COWL

All-steel Semi Forward Control Driver's Cab/Cowl and Fully Built Options

ELECTRICAL SYSTEMS

System Voltage	24 Volts
Alternator Capacity	55-65 Amps

PERFORMANCE

Max. Speed	78 kmph		
Gradeability	26%		
Wheel Base (mm)	3225	3625	4225
Minimum Turning Circle Radius (mm)	6550	7250	

MAIN CHASSIS DIMENSIONS AS PER IS 9435 (mm)

Track Front	1964
Track Rear	1817
Max. Width	2434
Front Overhang	1185
Overall Length	36 WB 6100 (1290 ROH)

WEIGHT (kg)

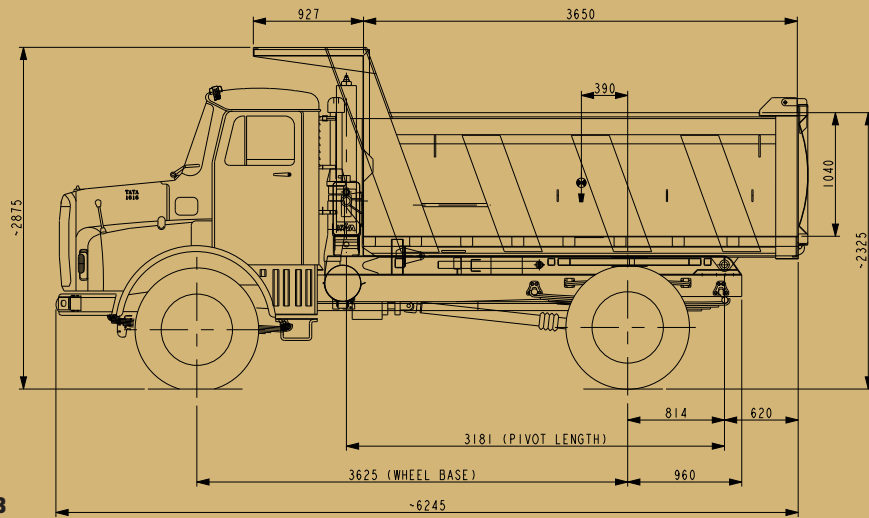
Max. per GVW	16200
FAW	6000
RAW	10200

BODY OPTIONS

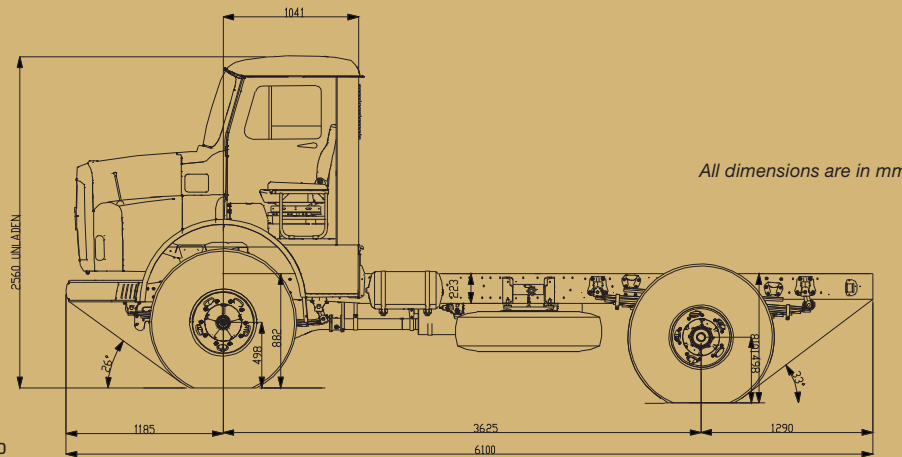
Wheel Base (mm)	3225	3625	4225
Body Size	4.5 Cum Box	8.5 Cum, 6.5 Cum Box/ 6 Cum Scoop	10 Cum Box/ Drop Side Body



SK 1613 
HYMILER

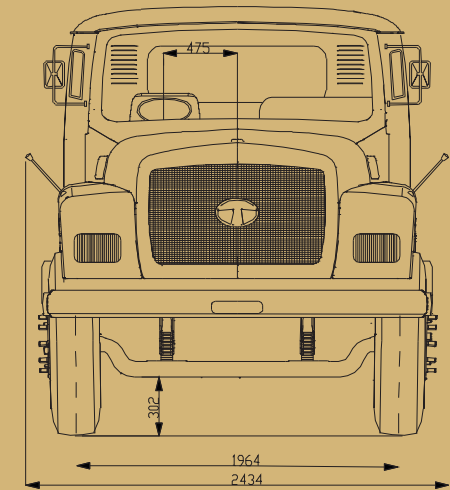


8.5 Cum Box on **SK 1613**



All dimensions are in mm

SK 1613 Cab



SK 1613 Cab (Front view)



Write to us:
reconales@tatamotors.com



TATA MOTORS Certified
PRE-OWNED COMMERCIAL VEHICLES

Write to us: tataok@tatamotors.com
SMS: 5616161



Har Kadam Par Khushiyan

Enroll Today!
Write to us: delight@tatamotors.com or
Visit us at: www.tatadelight.com



(Annual Maintenance Contract Facility)

To avail Sampoorna Seva
at affordable price for your vehicle,
Call us on: 1800-258-2589 (Toll-free)
Write to us: amcustomer@tatamotors.com

Call us on: 1800-209-7979 (Toll-free)

TATA MOTORS

For more information, please visit our website: www.tatamotors.com. You can also contact our Sales Office: Tata Motors Limited, 20th Floor, Tower 2, One Indiabulls Centre, 841, Senapati Bapat Marg, Mumbai 400 013. Tel: 91 22 6658 6000; Fax: 91 22 6658 6010.

CAUTION: Accessories shown in the picture or elsewhere do not constitute standard fitment. The specifications are merely indicative. Due to continuous product Improvements, these specifications are liable to change without notice.